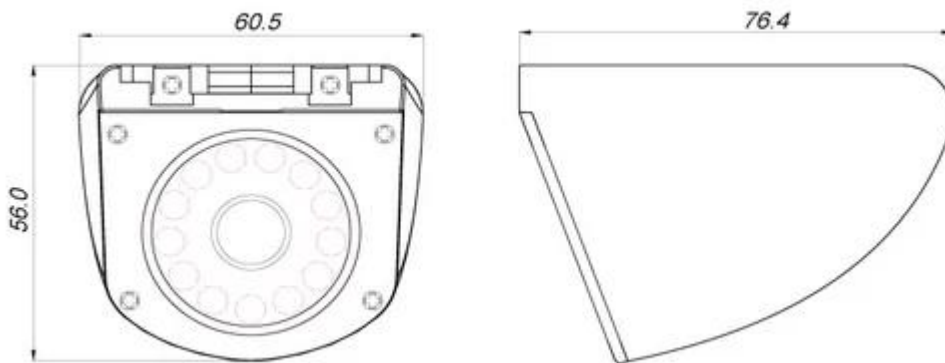


Car Side View Camera's Character:

- 1.Metal-cases mobile side view with fixed lens.
- 2.Available in silver finish.
- 3.Low power consumption
- 4.Easy installation on ceiling or wall, surface or flush mount.
- 5.IP67 waterproof

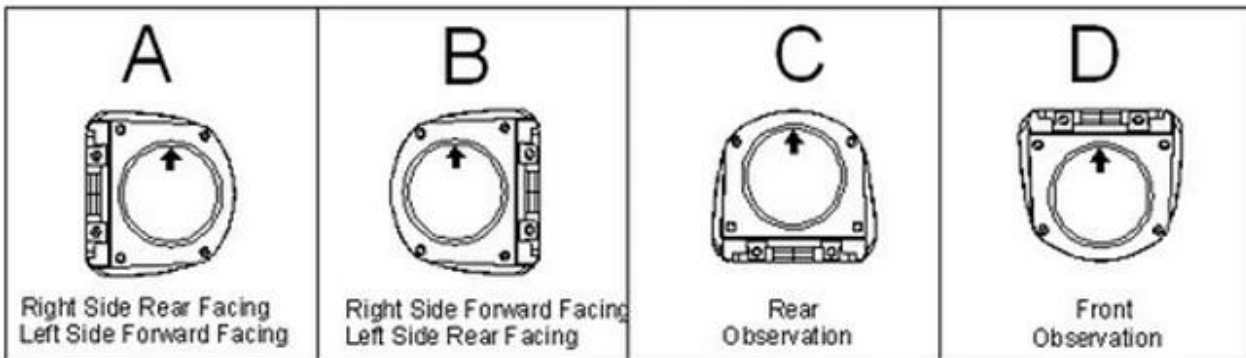


Car Side View Camera's Parameter:

Item	Parameter
Sensor	1/3 Color Sony CCD
TV System	PAL/NTSC
Resolution	420TVL/480TVL/600TL for optional
Sensitivity	0 Lux at F1.2 (Infrared LED On)
Scanning System	625TVL, 2:1 Interlace
Synchronization	Internal
Infrared Spectrum	850nm

S/N Ratio	More than 50 dB, (AGC off)
Auto Gain Control (AGC)	Auto
White Balance	Auto
Electronic Shutter	Auto
Back Light Compensation	Auto
Infrared LED	12 LEDs
IR LED Range	10 Meter
Video Output	1 Vp-p, 75Ωcomposite , BNC x1
Audio Output	For Option
Mirror Function	For Options
Gamma Ratio	0.45
Lens	f3.6mm Standard Lens,2.8mm/6mm For Options
Exterior Focus Adjustment	N/A
Lens Mount	M12XP0.5mm Thread
Pan Adjusting	0-360°
Power Supply	12V DC ±10%
Power Consumption	210mA
Size(LXWXH)	76.4 x 60.5 x 56mm
Net Weight	215g
Waterproof	IP67
Temperature	-10°C to +50°C

Camera Module Orientation Matches Letter Orientation Illustrated:



Car Side View Camera's Certification:



Car Side View Camera's Shipping Item:

1. FedEx/DHL/UPS/TNT for samples, Door-to-Door;
2. Delivery Time: 3-7 days for samples; negotiation for batch goods.

Payment Terms:

1. Payment: T/T, Western Union, PayPal; 30% deposits; 70% balance before delivery.
2. MOQ: 1pcs
3. Warranty : 1years
4. Package Informations: 1 pcs per box, brand packing, netural packing and customized packing

Why Choosing Us?

1. We are Alibaba Assessed 3 years Gold Supplier.
2. We are a factory manufacturing, best production capability ,best quality control, Best Service .
3. Inspected by the Inspection Institution of Bureau Veritas Certification.
4. 100% QC inspection Before Shipment.
5. CE/RoHS/FCC listed, competitive price.